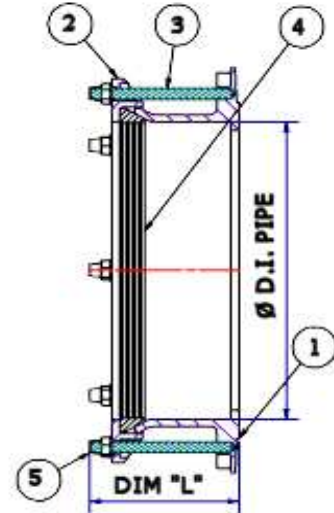


SIGMA - your fitting choice



M - Range Flange Adaptors



Suitable for tied restraint without modification

M Range - DIMENSIONS				
SIZE	PIPE O/D	DIM "L"	No. BOLTS & SIZE	WGT (kg)
350mm	350 D.I. 378 O/D	180	8 x M14	26.25
400mm	400 D.I. 429 O/D	180	8 x M14	30.9
450mm	450 D.I. 480 O/D	180	10 x M14	35.5
500mm	500 D.I. 530 O/D	180	10 x M14	43
600mm	600 D.I. 635 O/D	180	10 x M14	58

Materials & Coatings

M Range FLANGE ADAPTOR - Parts List				
ITEM	QTY	DESCRIPTION	MATERIAL	SPECIFICATION
1	1	BODY CASTING	420/12 CAST S.G. IRON	WRAS APPROVED POWDER COATED
2	1	END RING CASTING	420/12 CAST S.G. IRON	WRAS APPROVED POWDER COATED
3	8	M14 CLAMP BOLT	GRADE 8.8 STEEL	ZINC PLATED & BLACK PLASCOAT 80 MIC
4	1	GASKET	EPDM ELASTOMER	WRAS APPROVED MATERIAL
5	8	THREAD CAP	NYLON MOULDING	NATURAL FINISH
6	8	WASHER	ST. STEEL GRADE A4	NATURAL FINISH
7	8	HEXAGON NUT	ST. STEEL GRADE A4	NATURAL FINISH

