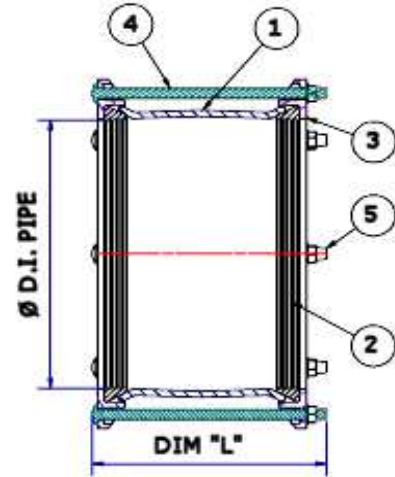


SIGMA - your fitting choice



M - Range
Couplings



Suitable for tied restraint without modification

M Range - DIMENSIONS				
SIZE	PIPE O/D	DIM "L"	No. BOLTS & SIZE	WGT (kg)
350mm	350 D.I. 378 O/D	310	8 x M14	30.8
400mm	400 D.I. 429 O/D	310	8 x M14	34
450mm	450 D.I. 480 O/D	310	10 x M14	37
500mm	500 D.I. 532 O/D	310	10 x M14	40.5
600mm	600 D.I. 635 O/D	310	10 x M14	47

Materials & Coatings

M Range COUPLING - Parts List				
ITEM	QTY	DESCRIPTION	MATERIAL	SPECIFICATION
1	1	BODY CASTING	420/12 CAST S.G. IRON	WRAS APPROVED POWDER COATED
2	2	GASKET	EPDM ELASTOMER	WRAS APPROVED MATERIAL
3	2	END RING CASTING	420/12 CAST S.G. IRON	WRAS APPROVED POWDER COATED
4	8	ADJUSTING BOLT	GRADE 8.8 STEEL	ZINC PLATED & BLACK PLASCOAT TO 80 MIC
5	8	THREAD CAP	NYLON MOULDING	NATURAL FINISH
6	8	HEXAGON NUTS	ST. STEEL GRADE A4	NATURAL FINISH
7	8	WASHERS	ST. STEEL GRADE A4	NATURAL FINISH